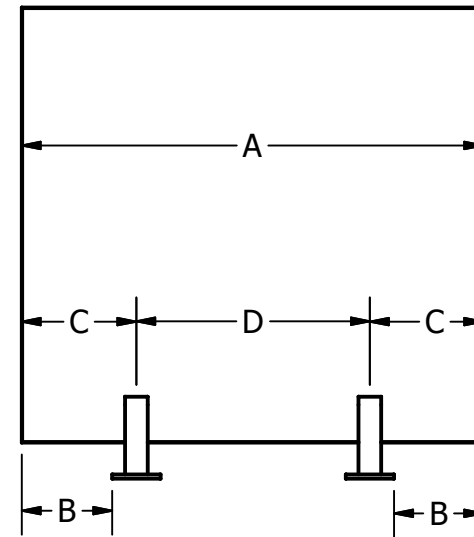
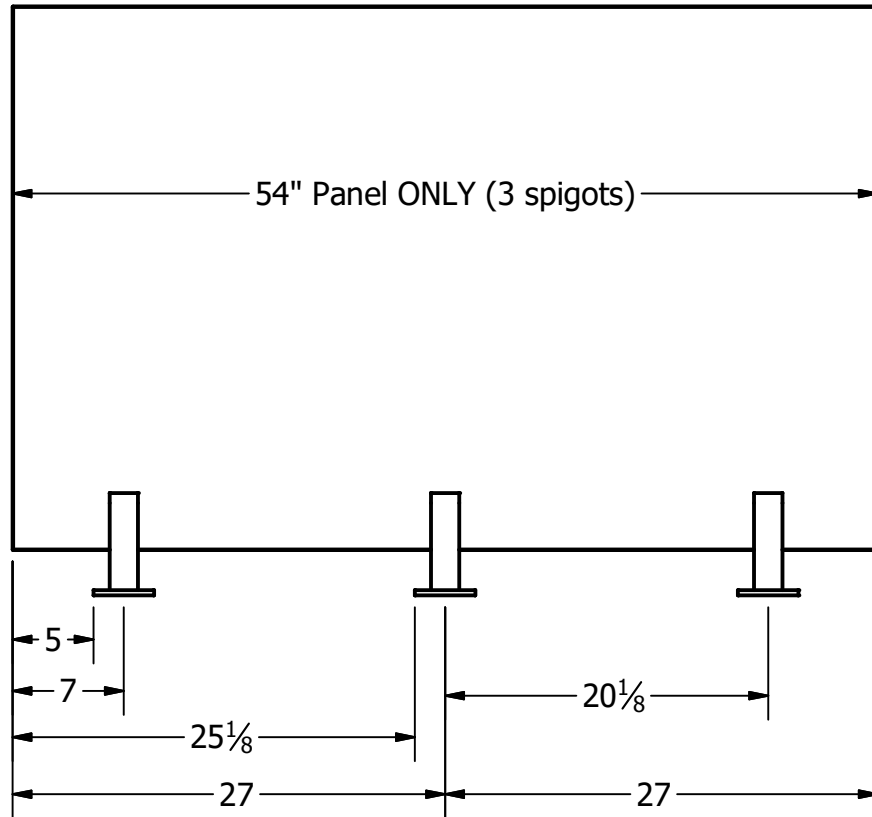


TABLE									
Panel Size/Glass Width (A)	24	30	33	36	39	42	45	48	54
Edge of glass to outside edge of spigot (B)	4-1/8"	5-5/8"	6-3/8"	7-1/8"	7-7/8"	8-5/8"	9-3/8"	10-1/8"	11-5/8"
Edge of glass to center of spigot (C)	6"	7-1/2"	8-1/4"	9"	9-3/4"	10-1/2"	11-1/4"	12"	13-1/2"
Spigot spacing on-center (D)	12"	15"	16-1/2"	18"	19-1/2"	21"	22-1/2"	24"	27"



IG Railing makes no representation or warranties, expressly or implied, with respect to the reuse of the data provided hereafter, regardless of its format or the means of its transmission. There is no guarantee or representation to the user as to the accuracy, currency, suitability or reliability of this data for any purpose. The user accepts the data "as is", and assumes all risks associated with its use. By acceptance of this data, the user agrees not to transmit this data or provide access or any part of it to another party unless the user shall include with data a copy of this disclaimer. IG Railing assumes no responsibility for actual or consequential damage incurred as a result of any user's reliance on this data. All elements of any designs are subject to approval of local building codes, which is the user's responsibility to verify.



IG Railing

SPIGOT PLACEMENT DIMENSIONS

DATE:

SIZE: A SHEET 1 OF 1

REV: 0